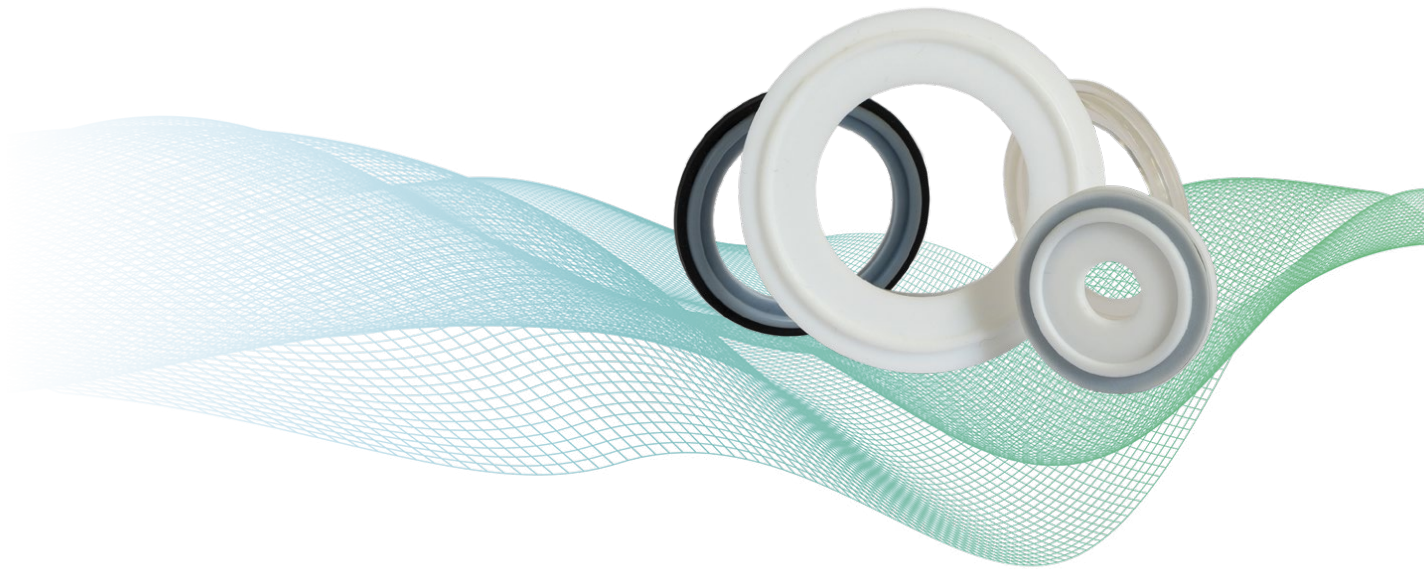


SANITARY GASKETS

FOR ASEPTIC FLUID MANAGEMENT



TECHNICAL DATA

SIZES:

DN 8 up to DN 300

STERILIZATION TEMPERATURE:

up to 150 °C

NORM:

DIN 32676 Line A, B, C
(ISO 1127, DIN 11850 or ASME BPE)

CERTIFICATES:

FDA, USP VI, ADI-free

OPTIONS

→ With or without flange (lip)

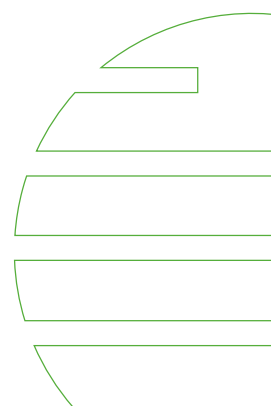
FEATURES

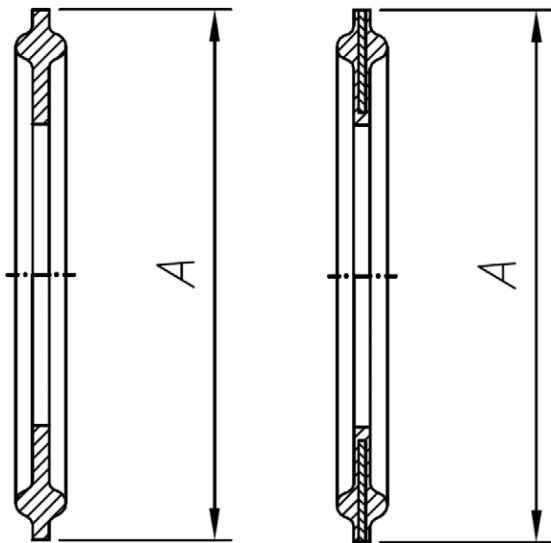
- Large selection of materials and designs
- SIP, autoclavable
- High chemical resistance
- Batch traceability
- Custom packaging and labelling

GENERAL APPLICATION

Tri-clamp connections are widely used connection in the pharmaceutical and biotechnology industries.

- Stainless steel & plastic equipment
- Containers and installations
- Process lines
- Single-use assemblies
- Multi-use assemblies





_ = without Flange

STANDARDS:

→ DIN 32676 Line B, with pipe connection acc. ISO 1127

MATERIAL:

→ Platinum cured Silicone, EPDM, FKM, PTFE with core in FKM, Virgin PTFE

MAX, STERILIZATION TEMPERATURE:

→ EPDM: 132 °C (short 150 °C)
Silicone, FKM and PTFE: 150 °C

SURFACE QUALITY:

→ Smooth and pore-free surface, free of burrs and blind spots

MARKING:

→ Label on packed units

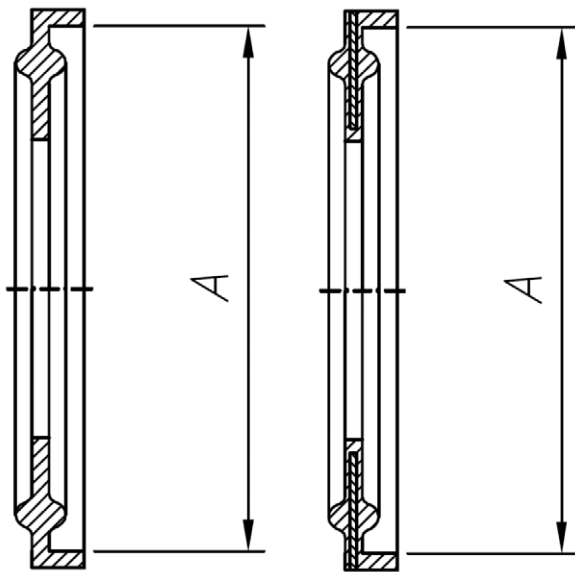
CERTIFICATES:

→ Certificate of conformity FDA-21 CFR 177.2600 for Elastomers
→ Certificate of conformity FDA-21 CFR 177.1550 for PTFE
→ USP VI
→ Animal Derived Ingredients (ADI) free

NORM SIZE	A (MM)	ITEM-NO PLATINUM SILICONE	ITEM-NO EPDM	ITEM-NO FKM	ITEM-NO PTFE ENVELOPED	ITEM-NO PTFE FULL
ISO DN 8	22.0	ATGI008025S	ATGI008025E	ATGI008025V	ATGI008025PE	ATGI008025P
ISO DN 8*	34.0	ATGI008034S	ATGI008034E	ATGI008034V	ATGI008034PE	ATGI008034P
ISO DN 8	50.5	ATGI008050S	ATGI008050E	ATGI008050V	ATGI008050PE	ATGI008050P
ISO DN 10	22.0	ATGI010025S	ATGI010025E	ATGI010025V	ATGI010025PE	ATGI010025P
ISO DN 10*	34.0	ATGI010034S	ATGI010034E	ATGI010034V	ATGI010034PE	ATGI010034P
ISO DN 10	50.5	ATGI010050S	ATGI010050E	ATGI010050V	ATGI010050PE	ATGI010050P
ISO DN 15*	34.0	ATGI015034S	ATGI025050E	ATGI015034V	ATGI015034PE	ATGI015034P
ISO DN 15	50.5	ATGI015050S	ATGI015050E	ATGI015050V	ATGI015050PE	ATGI015050P
ISO DN 20	50.5	ATGI020050S	ATGI020050E	ATGI020050V	ATGI020050PE	ATGI020050P
ISO DN 25	50.5	ATGI025050S	ATGI025050E	ATGI025050V	ATGI025050PE	ATGI025050P
ISO DN 32	64.0	ATGI032064S	ATGI032064E	ATGI032064V	ATGI032064PE	ATGI032064P
ISO DN 40	64.0	ATGI040064S	ATGI040064E	ATGI040064V	ATGI040064PE	ATGI040064P
ISO DN 50	77.5	ATGI050077S	ATGI050077E	ATGI050077V	ATGI050077PE	ATGI050077P
ISO DN 65	91.0	ATGI065091S	ATGI065091E	ATGI065091V	ATGI065091PE	ATGI065091P
ISO DN 80	106.0	ATGI080106S	ATGI080106E	ATGI080106V	ATGI080106PE	ATGI080106P
ISO DN 100	130.0	ATGI100130S	ATGI100130E	ATGI100130V	ATGI100130PE	ATGI100130P
ISO DN 125	155.0	ATGI125155S	ATGI125155E	ATGI125155V	ATGI125155PE	ATGI125155P
ISO DN 150	182.7	ATGI150183S	ATGI150183E	ATGI150183V	ATGI150183PE	ATGI150183P
ISO DN 200	233.5	ATGI200233S	ATGI200233E	ATGI200233V	ATGI200233PE	ATGI200233P
ISO DN 250	287.5	ATGI250287S	ATGI250287E	ATGI250287V	ATGI250287PE	ATGI250287P
ISO DN 300	338.3	ATGI300338S	ATGI300338E	ATGI300338V	ATGI300338PE	ATGI300338P

* = non standard

Technical changes reserved



F = with Flange

STANDARDS:

→ DIN 32676 Line B, with pipe connection acc. ISO 1127

MATERIAL:

→ Platinum cured Silicone, EPDM, FKM, PTFE with core in FKM, Virgin PTFE

MAX. STERILIZATION TEMPERATURE:

→ EPDM: 132 °C (short 150 °C)
Silicone, FKM and PTFE: 150 °C

SURFACE QUALITY:

→ Smooth and pore-free surface, free of burrs and blind spots

MARKING:

Label on packed units

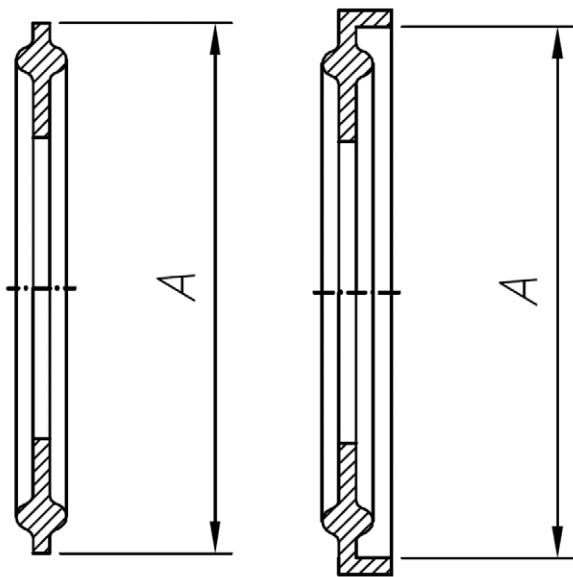
CERTIFICATES:

- Certificate of conformity FDA-21 CFR 177.2600 for Elastomers
- Certificate of conformity FDA-21 CFR 177.1550 for PTFE
- USP VI
- Animal Derived Ingredients (ADI) free

NORM SIZE	A (MM)	ITEM-NO PLATINUM SILICONE	ITEM-NO EPDM	ITEM-NO FKM	ITEM-NO PTFE ENVELOPED	ITEM-NO PTFE FULL
ISO DN 8	22.0	-	-	-	-	-
ISO DN 8*	34.0	ATGI008034SF	ATGI008034EF	ATGI008034VF	ATGI008034PEF	ATGI008034PF
ISO DN 8	50.5	ATGI008050SF	ATGI008050EF	ATGI008050VF	ATGI008050PEF	ATGI008050PF
ISO DN 10	22.0	-	-	-	-	-
ISO DN 10*	34.0	ATGI010034SF	ATGI010034EF	ATGI010034VF	ATGI010034PEF	ATGI010034PF
ISO DN 10	50.5	ATGI010050SF	ATGI010050EF	ATGI010050VF	ATGI010050PEF	ATGI010050PF
ISO DN 15*	34.0	ATGI015034SF	ATGI015034EF	ATGI015034VF	ATGI015034PEF	ATGI015034PF
ISO DN 15	50.5	ATGI015050SF	ATGI015050EF	ATGI015050VF	ATGI015050PEF	ATGI015050PF
ISO DN 20	50.5	ATGI020050SF	ATGI020050EF	ATGI020050VF	ATGI020050PEF	ATGI020050PF
ISO DN 25	50.5	ATGI025050SF	ATGI025050EF	ATGI025050VF	ATGI025050PEF	ATGI025050PF
ISO DN 32	64.0	ATGI032064SF	ATGI032064EF	ATGI032064VF	ATGI032064PEF	ATGI032064PF
ISO DN 40	64.0	ATGI040064SF	ATGI040064EF	ATGI040064VF	ATGI040064PEF	ATGI040064PF
ISO DN 50	77.5	ATGI050077SF	ATGI050077EF	ATGI050077VF	ATGI050077PEF	ATGI050077PF
ISO DN 65	91.0	ATGI065091SF	ATGI065091EF	ATGI065091VF	ATGI065091PEF	ATGI065091PF
ISO DN 80	106.0	ATGI080106SF	ATGI080106EF	ATGI080106VF	ATGI080106PEF	ATGI080106PF
ISO DN 100	130.0	ATGI100130SF	ATGI100130EF	ATGI100130VF	ATGI100130PEF	ATGI100130PF
ISO DN 125	155.0	ATGI125155SF	ATGI125155EF	ATGI125155VF	ATGI125155PEF	ATGI125155PF
ISO DN 150	182.7	ATGI150183SF	ATGI150183EF	ATGI150183VF	ATGI150183PEF	ATGI150183PF
ISO DN 200	233.5	ATGI200233SF	ATGI200233EF	ATGI200233VF	ATGI200233PEF	ATGI200233PF
ISO DN 250	287.5	ATGI250287SF	ATGI250287EF	ATGI250287VF	ATGI250287PEF	ATGI250287PF
ISO DN 300	338.3	ATGI300338SF	ATGI300338EF	ATGI300338VF	ATGI300338PEF	ATGI300338PF

* = non standard

Technical changes reserved



_ = without Flange

F = with Flange

STANDARDS:

→ DIN 32676 Line B, with pipe connection acc. ISO 1127

MATERIAL:

→ Blue: modified PTFE reinforced with cave glass microspheres
 → Silver: mix made by 50% virgin PTFE and 50% inox 316 spherical and passivated

MAX. STERILIZATION TEMPERATURE:

→ PTFE Blue and Silver: 150 °C

SURFACE QUALITY:

→ Smooth and pore-free surface, free of burrs and blind spots

MARKING:

→ Label on packed units

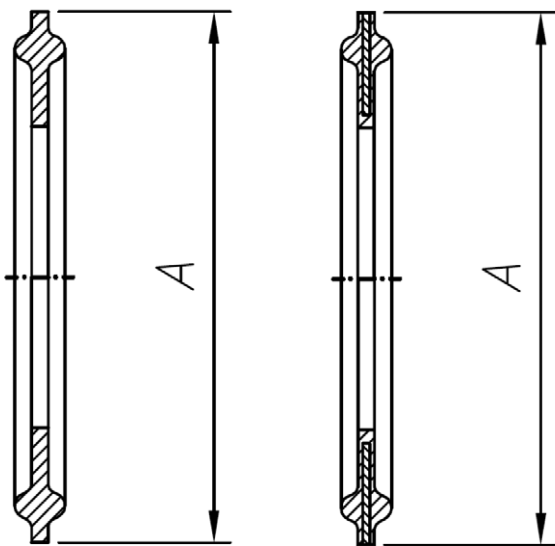
CERTIFICATES:

→ Certificate of conformity FDA-21 CFR 177.1550 for PTFE
 → USP VI

NORM SIZE	A (MM)	ITEM-NO PTFE BLUE	ITEM-NO PTFE BLUE FLANGED	ITEM-NO PTFE SILVER	ITEM-NO PTFE SILVER FLANGED
ISO DN 8	22.0	ATGI008025PB	-	ATGI008025PS	-
ISO DN 8*	34.0	ATGI008034PB	ATGI008034PBF	ATGI008034PS	ATGI008034PSF
ISO DN 8	50.5	ATGI008050PB	ATGI008050PBF	ATGI008050PS	ATGI008050PSF
ISO DN 10	22.0	ATGI010025PB	-	ATGI010025PS	-
ISO DN 10*	34.0	ATGI010034PB	ATGI010034PBF	ATGI010034PS	ATGI010034PSF
ISO DN 10	50.5	ATGI010050PB	ATGI010050PBF	ATGI010050PS	ATGI010050PSF
ISO DN 15*	34.0	ATGI015034PB	ATGI015034PBF	ATGI015034PS	ATGI015034PSF
ISO DN 15	50.5	ATGI015050PB	ATGI015050PBF	ATGI015050PS	ATGI015050PSF
ISO DN 20	50.5	ATGI020050PB	ATGI020050PBF	ATGI020050PS	ATGI020050PSF
ISO DN 25	50.5	ATGI025050PB	ATGI025050PBF	ATGI025050PS	ATGI025050PSF
ISO DN 32	64.0	ATGI032064PB	ATGI032064PBF	ATGI032064PS	ATGI032064PSF
ISO DN 40	64.0	ATGI040064PB	ATGI040064PBF	ATGI040064PS	ATGI040064PSF
ISO DN 50	77.5	ATGI050077PB	ATGI050077PBF	ATGI050077PS	ATGI050077PSF
ISO DN 65	91.0	ATGI065091PB	ATGI065091PBF	ATGI065091PS	ATGI065091PSF
ISO DN 80	106.0	ATGI080106PB	ATGI080106PBF	ATGI080106PS	ATGI080106PSF
ISO DN 100	130.0	ATGI100130PB	ATGI100130PBF	ATGI100130PS	ATGI100130PSF
ISO DN 125	155.0	ATGI125155PB	ATGI125155PBF	ATGI125155PS	ATGI125155PSF
ISO DN 150	182.7	ATGI150183PB	ATGI150183PBF	ATGI150183PS	ATGI150183PSF
ISO DN 200	233.5	ATGI200233PB	ATGI200233PBF	ATGI200233PS	ATGI200233PSF

* = non standard

Technical changes reserved



_ = without Flange

STANDARDS:

- DIN 32676 Line A, with pipe connection DIN 11850, *non standard

MATERIAL:

- Platinum cured Silicone, EPDM, FKM, PTFE with core in FKM, Virgin PTFE

MAX, STERILIZATION TEMPERATURE:

- EPDM: 132 °C (short 150 °C)
Silicone, FKM and PTFE: 150 °C

SURFACE QUALITY:

- Smooth and pore-free surface, free of burrs and blind spots

MARKING:

- Label on packed units

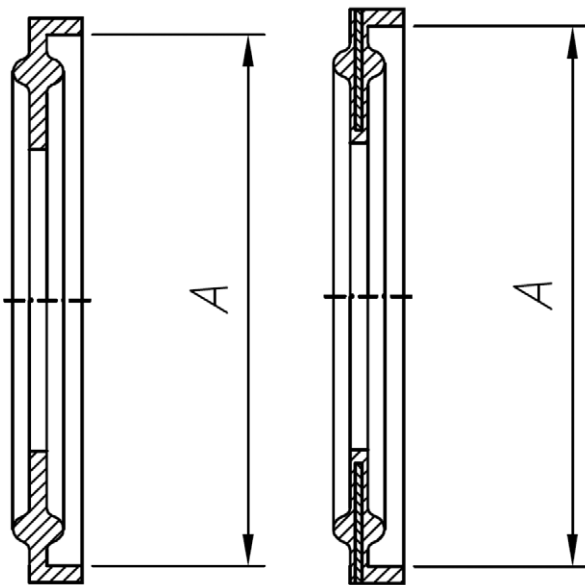
CERTIFICATES:

- Certificate of conformity FDA-21 CFR 177.2600 for Elastomers
- Certificate of conformity FDA-21 CFR 177.1550 for PTFE
- USP VI
- Animal Derived Ingredients (ADI) free

NORM SIZE	A (MM)	ITEM-NO PLATINUM	ITEM-NO EPDM	ITEM-NO FKM	ITEM-NO PTFE	ITEM-NO PTFE FULL
DIN DN 4*	22.0	ATGD004025S	ATGD004025E	ATGD004025V	ATGD004025PE	ATGD004025P
DIN DN 6*	22.0	ATGD006025S	ATGD006025E	ATGD006025V	ATGD006025PE	ATGD006025P
DIN DN 8*	22.0	ATGD008025S	ATGD008025E	ATGD008025V	ATGD008025PE	ATGD008025P
DIN DN 10*	22.0	ATGD010025S	ATGD010025E	ATGD010025V	ATGD010025PE	ATGD010025P
DIN DN 10*	34.0	ATGD010034S	ATGD010034E	ATGD010034V	ATGD010034PE	ATGD010034P
DIN DN 15	34.0	ATGD015034S	ATGD015034E	ATGD015034V	ATGD015034PE	ATGD015034P
DIN DN 20	34.0	ATGD020034S	ATGD020034E	ATGD020034V	ATGD020034PE	ATGD020034P
DIN DN 25	50.5	ATGD025050S	ATGD025050E	ATGD025050V	ATGD025050PE	ATGD025050P
DIN DN 32	50.5	ATGD032050S	ATGD032050E	ATGD032050V	ATGD032050PE	ATGD032050P
DIN DN 40	50.5	ATGD040050S	ATGD040050E	ATGD040050V	ATGD040050PE	ATGD040050P
DIN DN 50	64.0	ATGD050064S	ATGD050064E	ATGD050064V	ATGD050064PE	ATGD050064P
DIN DN 65	91.0	ATGD065091S	ATGD065091E	ATGD065091V	ATGD065091PE	ATGD065091P
DIN DN 80	106.0	ATGD080106S	ATGD080106E	ATGD080106V	ATGD080106PE	ATGD080106P
DIN DN 100	119.0	ATGD100119S	ATGD100119E	ATGD100119V	ATGD100119PE	ATGD100119P
DIN DN 125	155.0	ATGD125155S	ATGD125155E	ATGD125155V	ATGD125155PE	ATGD125155P
DIN DN 150	183.0	ATGD150183S	ATGD150183E	ATGD150183V	ATGD150183PE	ATGD150183P
DIN DN 200	233.5	ATGD200233S	ATGD200233E	ATGD200233V	ATGD200233PE	ATGD200233P

* = non standard

Technical changes reserved



F = with Flange

STANDARDS:

- DIN 32676 Line A, with pipe connection DIN 11850, *non standard

MATERIAL:

- Platinum cured Silicone, EPDM, FKM, PTFE with core in FKM, Virgin PTFE

MAX. STERILIZATION TEMPERATURE:

- EPDM: 132 °C (short 150 °C)
Silicone, FKM and PTFE: 150 °C

SURFACE QUALITY:

- Smooth and pore-free surface, free of burrs and blind spots

MARKING:

- Label on packed units

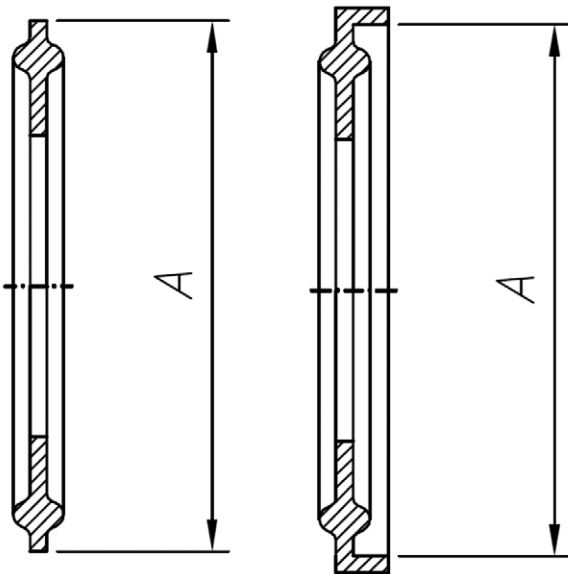
CERTIFICATES:

- Certificate of conformity FDA-21 CFR 177.2600 for Elastomers
- Certificate of conformity FDA-21 CFR 177.1550 for PTFE
- USP VI
- Animal Derived Ingredients (ADI) free

NORM SIZE	A (MM)	ITEM-NO PLATINUM SILICONE	ITEM-NO EPDM	ITEM-NO FKM	ITEM-NO PTFE ENVELOPED	ITEM-NO PTFE FULL
DIN DN *4	22,0	-	-	-	-	-
DIN DN *6	22,0	-	-	-	-	-
DIN DN *8	22,0	-	-	-	-	-
DIN DN *10	22,0	-	-	-	-	-
DIN DN *10	34,0	ATGD010034SF	ATGD010034EF	ATGD010034VF	ATGD010034PEF	ATGD010034PF
DIN DN 15	34,0	ATGD015034SF	ATGD015034EF	ATGD015034VF	ATGD015034PEF	ATGD015034PF
DIN DN 20	34,0	ATGD020034SF	ATGD020034EF	ATGD020034VF	ATGD020034PEF	ATGD020034PF
DIN DN 25	50,5	ATGD025050SF	ATGD025050EF	ATGD025050VF	ATGD025050PEF	ATGD025050PF
DIN DN 32	50,5	ATGD032050SF	ATGD032050EF	ATGD032050VF	ATGD032050PEF	ATGD032050PF
DIN DN 40	50,5	ATGD040050SF	ATGD040050EF	ATGD040050VF	ATGD040050PEF	ATGD040050PF
DIN DN 50	64,0	ATGD050064SF	ATGD050064EF	ATGD050064VF	ATGD050064PEF	ATGD050064PF
DIN DN 65	91,0	ATGD065091SF	ATGD065091EF	ATGD065091VF	ATGD065091PEF	ATGD065091PF
DIN DN 80	106,0	ATGD080106SF	ATGD080106EF	ATGD080106VF	ATGD080106PEF	ATGD080106PF
DIN DN 100	119,0	ATGD100119SF	ATGD100119EF	ATGD100119VF	ATGD100119PEF	ATGD100119PF
DIN DN 125	155,0	ATGD125155SF	ATGD125155EF	ATGD125155VF	ATGD125155PEF	ATGD125155PF
DIN DN 150	183,0	ATGD150183SF	ATGD150183EF	ATGD150183VF	ATGD150183PEF	ATGD150183PF
DIN DN 200	233,5	ATGD200233SF	ATGD200233EF	ATGD200233VF	ATGD200233PEF	ATGD200233PF

* = non standard

Technical changes reserved



_ = without
Flange

F = with
Flange

STANDARDS:

→ DIN 32676 Line A, with pipe connection DIN 11850, *non standard

MATERIAL:

→ Blue: modified PTFE reinforced with cave glass microspheres
→ Silver: mix made by 50% virgin PTFE and 50% inox 316 spherical and passivated

MAX, STERILIZATION TEMPERATURE:

→ PTFE Blue and Silver: 150 °C

SURFACE QUALITY:

→ Smooth and pore-free surface, free of burrs and blind spots

MARKING:

→ Label on packed units

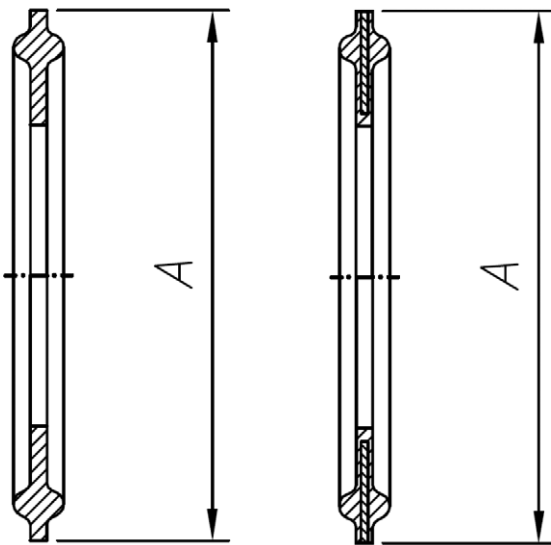
CERTIFICATES:

→ Certificate of conformity FDA-21 CFR 177.1550 for PTFE
→ USP VI

NORM SIZE	A (MM)	ITEM-NO PTFE BLUE	ITEM-NO PTFE BLUE FLANGED	ITEM-NO PTFE SILVER	ITEM-NO PTFE SILVER FLANGED
DIN DN 4*	22.0	ATGD004025PB	-	ATGD004025PS	-
DIN DN 6*	22.0	ATGD006025PB	-	ATGD006025PS	-
DIN DN 8*	22.0	ATGD008025PB	-	ATGD008025PS	-
DIN DN 10*	22.0	ATGD010025PB	-	ATGD010025PS	-
DIN DN 10*	34.0	ATGD010034PB	ATGD010034PBF	ATGD010034PS	ATGD010034PSF
DIN DN 15	34.0	ATGD015034PB	ATGD015034PBF	ATGD015034PS	ATGD015034PSF
DIN DN 20	34.0	ATGD020034PB	ATGD020034PBF	ATGD020034PS	ATGD020034PSF
DIN DN 25	50.5	ATGD025050PB	ATGD025050PBF	ATGD025050PS	ATGD025050PSF
DIN DN 32	50.5	ATGD032050PB	ATGD032050PBF	ATGD032050PS	ATGD032050PSF
DIN DN 40	50.5	ATGD040050PB	ATGD040050PBF	ATGD040050PS	ATGD040050PSF
DIN DN 50	64.0	ATGD050064PB	ATGD050064PBF	ATGD050064PS	ATGD050064PSF
DIN DN 65	91.0	ATGD065091PB	ATGD065091PBF	ATGD065091PS	ATGD065091PSF
DIN DN 80	106.0	ATGD080106PB	ATGD080106PBF	ATGD080106PS	ATGD080106PSF
DIN DN 100	119.0	ATGD100119PB	ATGD100119PBF	ATGD100119PS	ATGD100119PSF
DIN DN 125	155.0	ATGD125155PB	ATGD125155PBF	ATGD125155PS	ATGD125155PSF
DIN DN 150	183.0	ATGD150183PB	ATGD150183PBF	ATGD150183PS	ATGD150183PSF
DIN DN 200	233.5	ATGD200233PB	ATGD200233PBF	ATGD200233PS	ATGD200233PSF

* = non standard

Technical changes reserved



_ = without Flange

STANDARDS:

- DIN 32676 Line C, ASME BPE, *non standard

MATERIAL:

- Platinum cured Silicone, EPDM, FKM, PTFE with core in FKM, Virgin PTFE

MAX, STERILIZATION TEMPERATURE:

- EPDM: 132 °C (short 150 °C)
Silicone, FKM and PTFE: 150 °C

SURFACE QUALITY:

- Smooth and pore-free surface, free of burrs and blind spots

MARKING:

- Label on packed units

CERTIFICATES:

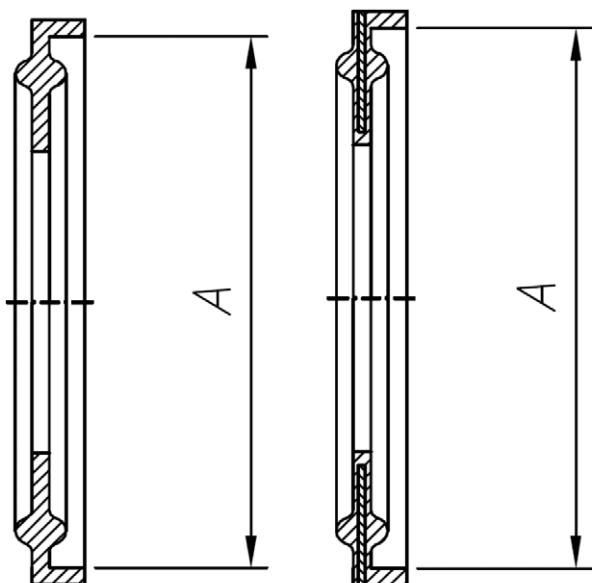
- Certificate of conformity FDA-21 CFR 177.2600 for Elastomers
- Certificate of conformity FDA-21 CFR 177.1550 for PTFE
- USP VI
- Animal Derived Ingredients (ADI) free

NORM SIZE	A (MM)	ITEM-NO PLATINUM	ITEM-NO EPDM	ITEM-NO FKM	ITEM-NO PTFE	ITEM-NO PTFE FULL
OD 1/2"	22.0	ATGO005025S	ATGO005025E	ATGO005025V	ATGO005025PE	ATGO005025P
OD 3/4"	22.0	ATGO007025S	ATGO007025E	ATGO007025V	ATGO007025PE	ATGO007025P
OD 1"	50.5	ATGO010050S	ATGO010050E	ATGO010050V	ATGO010050PE	ATGO010050P
OD 1 1/2"	50.5	ATGO015050S	ATGO015050E	ATGO015050V	ATGO015050PE	ATGO015050P
OD 2"	64.0	ATGO020064S	ATGO020064E	ATGO020064V	ATGO020064PE	ATGO020064P
OD 2 1/2"	77.5	ATGO025077S	ATGO025077E	ATGO025077V	ATGO025077PE	ATGO025077P
OD 3"	91.0	ATGO030091S	ATGO030091E	ATGO030091V	ATGO030091PE	ATGO030091P
OD 3 1/2"	106	ATGO035106S	ATGO035106E	ATGO035106V	ATGO035106PE	ATGO035106P
OD 4"	119.0	ATGO040119S	ATGO040119E	ATGO040119V	ATGO040119PE	ATGO040119P
OD 4 1/2"*	130.0	ATGO045130S	ATGO045130E	ATGO045130V	ATGO045130PE	ATGO045130P
OD 5"*	144.0	ATGO050144S	ATGO050144E	ATGO050144V	ATGO050144PE	ATGO050144P
OD 6"*	167.0	ATGO060167S	ATGO060167E	ATGO060167V	ATGO060167PE	ATGO060167P
OD 8"*	217.5	ATGO080217S	ATGO080217E	ATGO080217V	ATGO080217PE	ATGO080217P
OD 10"*	268.0	ATGO100268S	ATGO100268E	ATGO100268V	ATGO100268PE	ATGO100268P
OD 12"*	319.0	ATGO120319S	ATGO120319E	ATGO120319V	ATGO120319PE	ATGO120319P

* = non standard

Technical changes reserved





F = with Flange

STANDARDS:

- DIN 32676 Line C, ASME BPE, *non standard

MATERIAL:

- Platinum cured Silicone, EPDM, FKM, PTFE with core in FKM, Virgin PTFE

MAX, STERILIZATION TEMPERATURE:

- EPDM: 132 °C (short 150 °C)
Silicone, FKM and PTFE: 150 °C

SURFACE QUALITY:

- Smooth and pore-free surface, free of burrs and blind spots

MARKING:

- Label on packed units

CERTIFICATES:

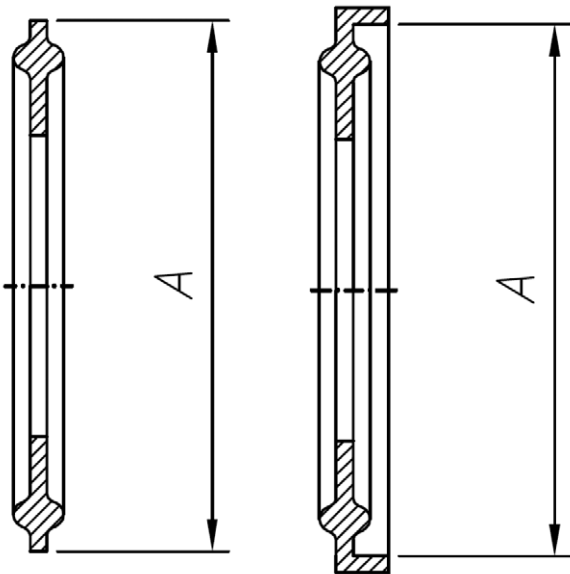
- Certificate of conformity FDA-21 CFR 177.2600 for Elastomers
- Certificate of conformity FDA-21 CFR 177.1550 for PTFE
- USP VI
- Animal Derived Ingredients (ADI) free

NORM SIZE	A (MM)	ITEM-NO PLATINUM SILICONE	ITEM-NO EPDM	ITEM-NO FKM	ITEM-NO PTFE ENVELOPED	ITEM-NO PTFE FULL
OD 1/2"	22.0	-	-	-	-	-
OD 3/4"	22.0	-	-	-	-	-
OD 1"	50.5	ATGO010050SF	ATGO010050EF	ATGO010050VF	ATGO010050PEF	ATGO010050PF
OD 1 1/2"	50.5	ATGO015050SF	ATGO015050EF	ATGO015050VF	ATGO015050PEF	ATGO015050PF
OD 2"	64.0	ATGO020064SF	ATGO020064EF	ATGO020064VF	ATGO020064PEF	ATGO020064PF
OD 2 1/2"	77.5	ATGO025077SF	ATGO025077EF	ATGO025077VF	ATGO025077PEF	ATGO025077PF
OD 3"	91.0	ATGO030091SF	ATGO030091EF	ATGO030091VF	ATGO030091PEF	ATGO030091PF
OD 3 1/2" *	106	ATGO035106SF	ATGO035106EF	ATGO035106VF	ATGO035106PEF	ATGO035106PF
OD 4"	119.0	ATGO040119SF	ATGO040119EF	ATGO040119VF	ATGO040119PEF	ATGO040119PF
OD 4 1/2" *	130.0	ATGO045130SF	ATGO045130EF	ATGO045130VF	ATGO045130PEF	ATGO045130PF
OD 5"*	144.0	ATGO050144SF	ATGO050144EF	ATGO050144VF	ATGO050144PEF	ATGO050144PF
OD 6"*	167.0	ATGO060167SF	ATGO060167EF	ATGO060167VF	ATGO060167PEF	ATGO060167PF
OD 8"*	217.5	ATGO080217SF	ATGO080217EF	ATGO080217VF	ATGO080217PEF	ATGO080217PF
OD 10"*	268.0	ATGO100268SF	ATGO100268EF	ATGO100268VF	ATGO100268PEF	ATGO100268PF
OD 12"*	319.0	ATGO120319SF	ATGO120319EF	ATGO120319VF	ATGO120319PEF	ATGO120319PF

* = non standard

Technical changes reserved





_ = without Flange

F = with Flange

STANDARDS:

- DIN 32676 Line C, ASME BPE, *non standard

MATERIAL:

- Blue: modified PTFE reinforced with cave glass microspheres
- Silver: mix made by 50% virgin PTFE and 50% inox 316 spherical and passivated

MAX, STERILIZATION TEMPERATURE:

- PTFE Blue and Silver: 150 °C

SURFACE QUALITY:

- Smooth and pore-free surface, free of burrs and blind spots

MARKING:

- Label on packed units

CERTIFICATES:

- Certificate of conformity FDA-21 CFR 177.1550 for PTFE
- USP VI

NORM SIZE	A (MM)	ITEM-NO PTFE BLUE	ITEM-NO PTFE BLUE FLANGED	ITEM-NO PTFE SILVER	ITEM-NO PTFE SILVER FLANGED
OD 1/2"	22.0	ATGO005025PB	-	ATGO005025PS	-
OD 3/4"	22.0	ATGO007025PB	-	ATGO007025PS	-
OD 1"	50.5	ATGO010050PB	ATGO010050PBF	ATGO010050PS	ATGO010050PSF
OD 1 1/2"	50.5	ATGO015050PB	ATGO015050PBF	ATGO015050PS	ATGO015050PSF
OD 2"	64.0	ATGO020064PB	ATGO020064PBF	ATGO020064PS	ATGO020064PSF
OD 2 1/2"	77.5	ATGO025077PB	ATGO025077PBF	ATGO025077PS	ATGO025077PSF
OD 3"	91.0	ATGO030091PB	ATGO030091PBF	ATGO030091PS	ATGO030091PSF
OD 3 1/2" *	106	ATGO035106PB	ATGO035106PBF	ATGO035106PS	ATGO035106PSF
OD 4"	119.0	ATGO040119PB	ATGO040119PBF	ATGO040119PS	ATGO040119PSF
OD 4 1/2" *	130.0	ATGO045130PB	ATGO045130PBF	ATGO045130PS	ATGO045130PSF
OD 5" *	144.0	ATGO050144PB	ATGO050144PBF	ATGO050144PS	ATGO050144PSF
OD 6" *	167.0	ATGO060167PB	ATGO060167PBF	ATGO060167PS	ATGO060167PSF

* = non standard

Technical changes reserved