

Saunders[®] Stainless Steel Sealed Manual Bonnet

www.cranecpe.com

For applications requiring all stainless steel construction.

Key features include:

- Stainless steel, hand wheel, compressor and spindle
- Fully sealed, with a primary seal that provides absolute containment for critical applications.
- Electropolished finish
- Operational at temperatures up to 160°C - Suitable for Steam-In-Place (SIP) 0.5" - 0.75"
- Fully autoclavable up to 140°C
- Available in size range DN15-DN80 (0.50"-3.00")

Please visit our web-based drawing library at:
www.saundersdrawings.com



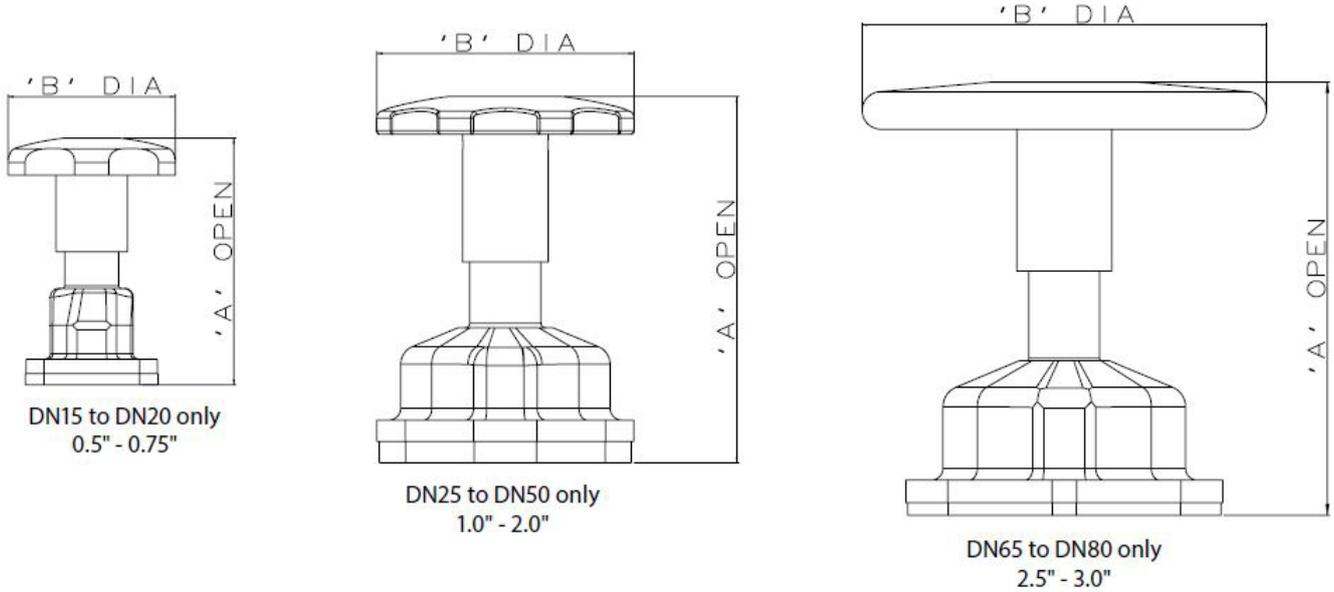
CRANE[®]

Crane ChemPharma & Energy

www.cranecpe.com

Saunders® Stainless Steel Sealed Manual Bonnet

Bonnet Dimensions



Dimensions and Weights

Valve Size		A		B		Weight	
mm	in	mm	in	mm	in	kg	lbs
DN15	0.5	88	3.46	62	2.44	0.9	2.0
DN20	0.75	89	3.50	62	2.44	1.1	2.4
DN25	1.00	102.5	4.04	80	3.15	1.3	2.9
DN40	1.50	133	5.24	100	3.94	1.9	4.2
DN50	2.00	154.5	6.08	112	4.41	3.5	7.7
DN65	2.50	185.5	7.30	170	6.69	6.2	13.6
DN80	3.00	203	7.99	220	8.66	8.4	18.5