

brands you trust.



Saunders[®] S360 Actuator
Technical Datasheet

Saunders® S360 Lite

The Saunders® S360 Lite range provides excellent closure performance for normally closed applications in a compact and lightweight package and is ideal for most applications. The S360 Lite fits into tight piping arrays and its compact size can even help reduce block valve design. It is available through sizes DN8 – DN100 (0.25" – 4.00").

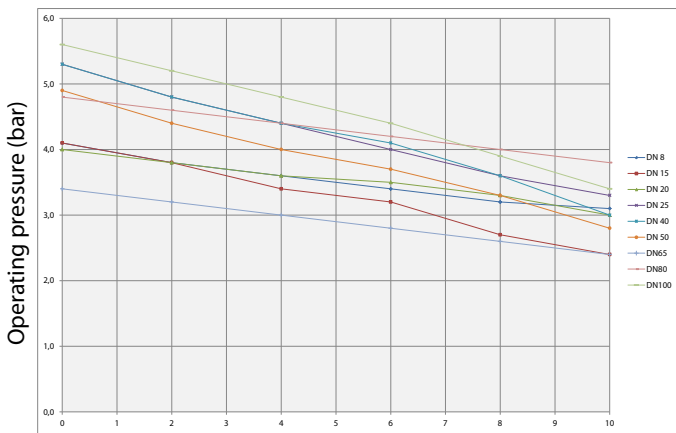


Closure Performance (Saunders® S360 Lite Normally Closed)

Style	Size	Line Pressure		Control Pressure	Weight
		PTFE	Rubber		
S360 Lite	DN8 (0.25")	16 bar (232 psi)	16 bar (232 psi)	6 bar (87 psi)	0.57 kg (1.3 lbs.)
S360 Lite	DN15 (0.50")	10 bar (145 psi)	10 bar (145 psi)	6 bar (87 psi)	1.20 kg (2.6 lbs.)
S360 Lite	DN20 (0.75")	10 bar (145 psi)	10 bar (145 psi)	6 bar (87 psi)	2.10 kg (4.6 lbs.)
S360 Lite	DN25 (1.00")	10 bar (145 psi)	10 bar (145 psi)	6 bar (87 psi)	2.28 kg (5.0 lbs.)
S360 Lite	DN40 (1.50")	10 bar (145 psi)	10 bar (145 psi)	6 bar (87 psi)	3.50 kg (7.7 lbs.)
S360 Lite	DN50 (2.00")	10 bar (145 psi)	10 bar (145 psi)	6 bar (87 psi)	7.70 kg (17 lbs.)
S360 Lite	DN65 (2.50")	10 bar (145 psi)	10 bar (145 psi)	6 bar (87 psi)	17.5 kg (38.6 lbs.)
S360 Lite	DN80 (3.00")	10 bar (145 psi)	10 bar (145 psi)	6 bar (87 psi)	32.0 kg (70.6 lbs.)
S360 Lite	DN100 (4.00")	10 bar (145 psi)	10 bar (145 psi)	6 bar (87 psi)	35.8 kg (78.9 lbs.)

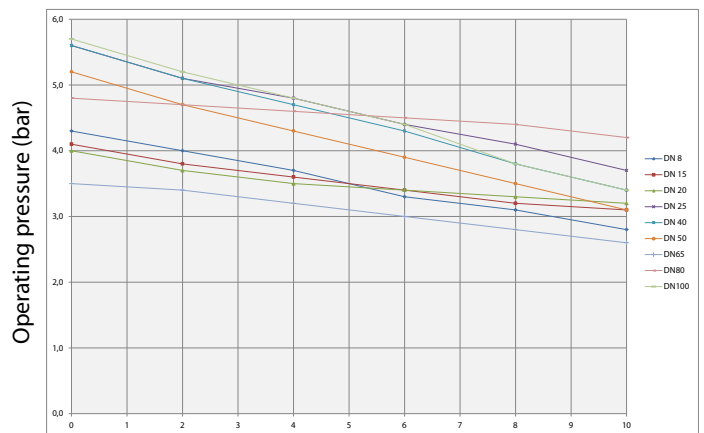
All pressures are gauge pressures. Line pressures were determined with pressure on one side of the weir only. This condition is called 100% pressure drop or 100% ΔP. Information on line pressure applied to both upstream and downstream sides of the weir is available on request.

Performance characteristics for S360 Lite Actuators Normally Closed with Elastomer Diaphragms at 100% ΔP



Line pressure (bar)

Performance characteristics for S360 Lite Actuators Normally Closed with PTFE Diaphragms at 100% ΔP



Line pressure (bar)

Graphs denote the operating air required to fully open the actuator at a given line pressure.

Saunders® S360 Power

The Saunders® S360 Power range offers higher operating closure performance in a compact package for high operating pressure or atypical closing conditions with high pressure on both sides of the weir. The S360 Power normally close actuator is available through sizes DN15 – DN50 (0.50" – 2.00").

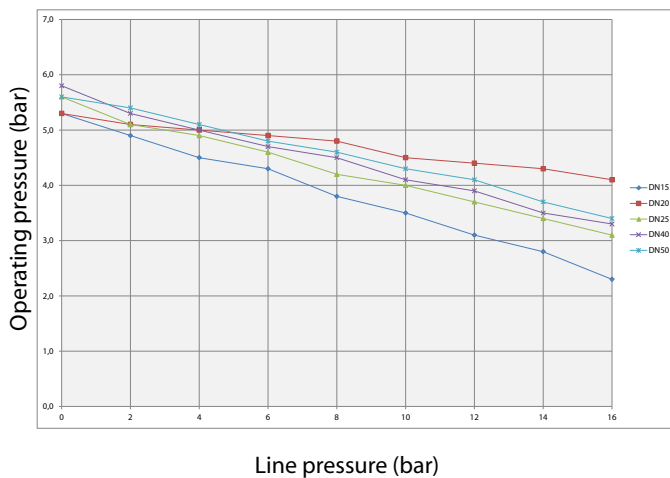


Closure Performance (Saunders® S360 Power Normally Closed)

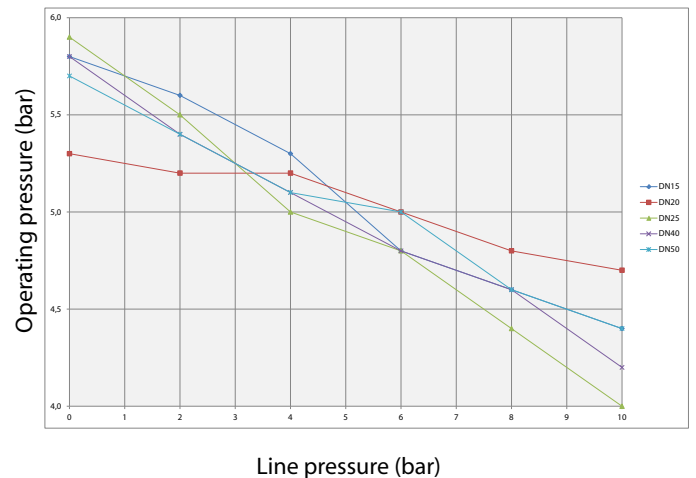
Style	Size	Line Pressure		Control Pressure	Weight
		PTFE	Rubber		
S360 Power	DN15 (0.50")	16 bar (232 psi)	16 bar (232 psi)	6 bar (87 psi)	1.20 kg (2.6 lbs.)
S360 Power	DN20 (0.75")	16 bar (232 psi)	16 bar (232 psi)	6 bar (87 psi)	2.80 kg (6.2 lbs.)
S360 Power	DN25 (1.00")	16 bar (232 psi)	16 bar (232 psi)	6 bar (87 psi)	2.90 kg (6.4 lbs.)
S360 Power	DN40 (1.50")	16 bar (232 psi)	16 bar (232 psi)	6 bar (87 psi)	5.75 kg (12.7 lbs.)
S360 Power	DN50 (2.00")	16 bar (232 psi)	16 bar (232 psi)	6 bar (87 psi)	9.67 kg (21.3 lbs.)

All pressures are gauge pressures. Line pressure values were determined with pressure on one side of the weir only. This condition is called 100% pressure drop, or 100% ΔP. Information on line pressure applied to both upstream and downstream sides of the weir is available on request.

Performance characteristics for S360 Power Actuators Normally Closed with Elastomer Diaphragms at 100% ΔP



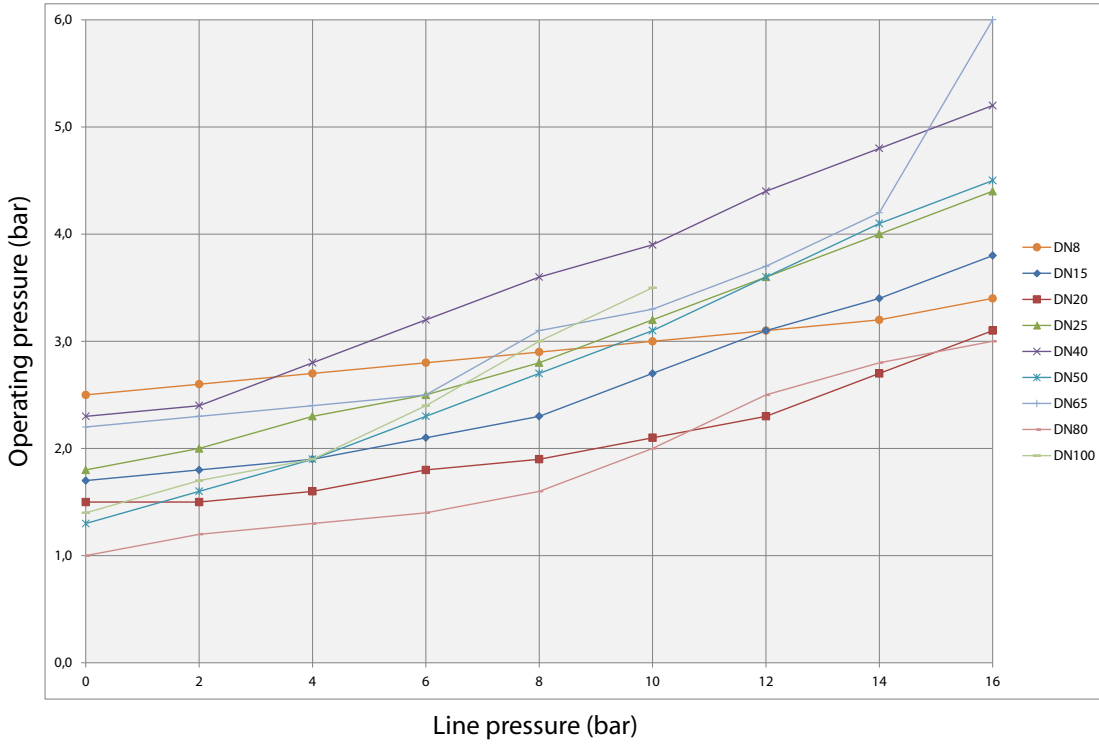
Performance characteristics for S360 Power Actuators Normally Closed with PTFE Diaphragms at 100% ΔP



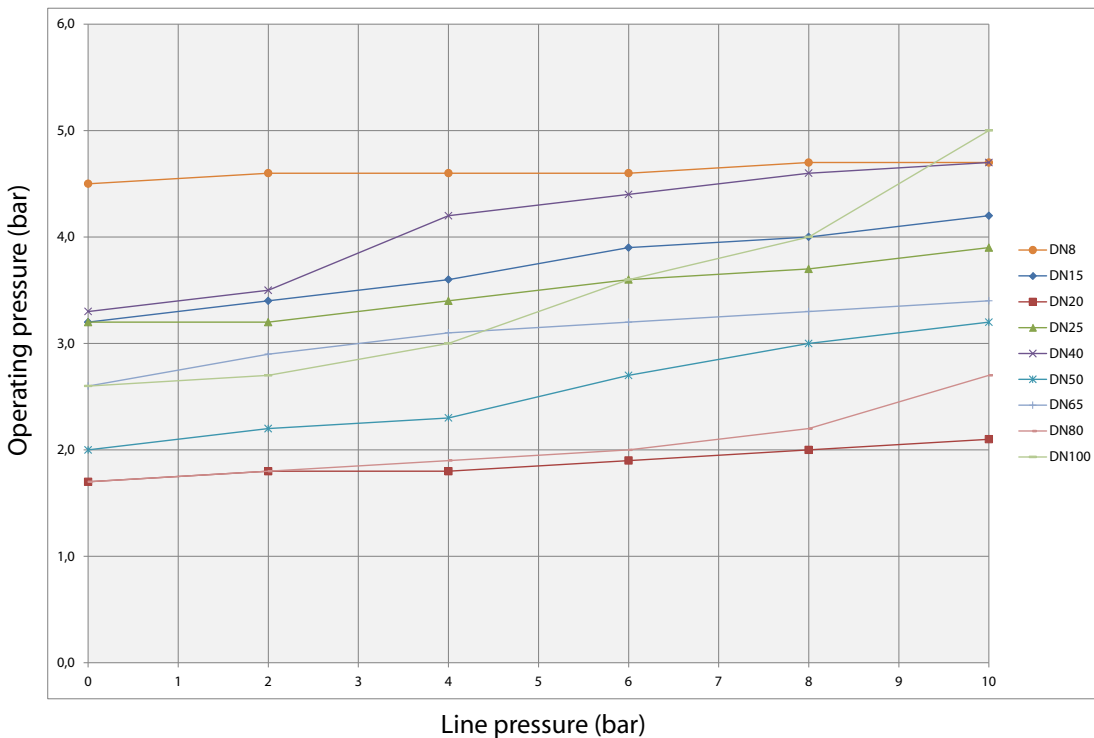
Graphs denote the operating air required to fully open the actuator at a given line pressure.

Saunders® S360 Normally Open Actuator

Performance characteristics for S360 actuators Normally Open with Elastomer Diaphragms at 100% ΔP

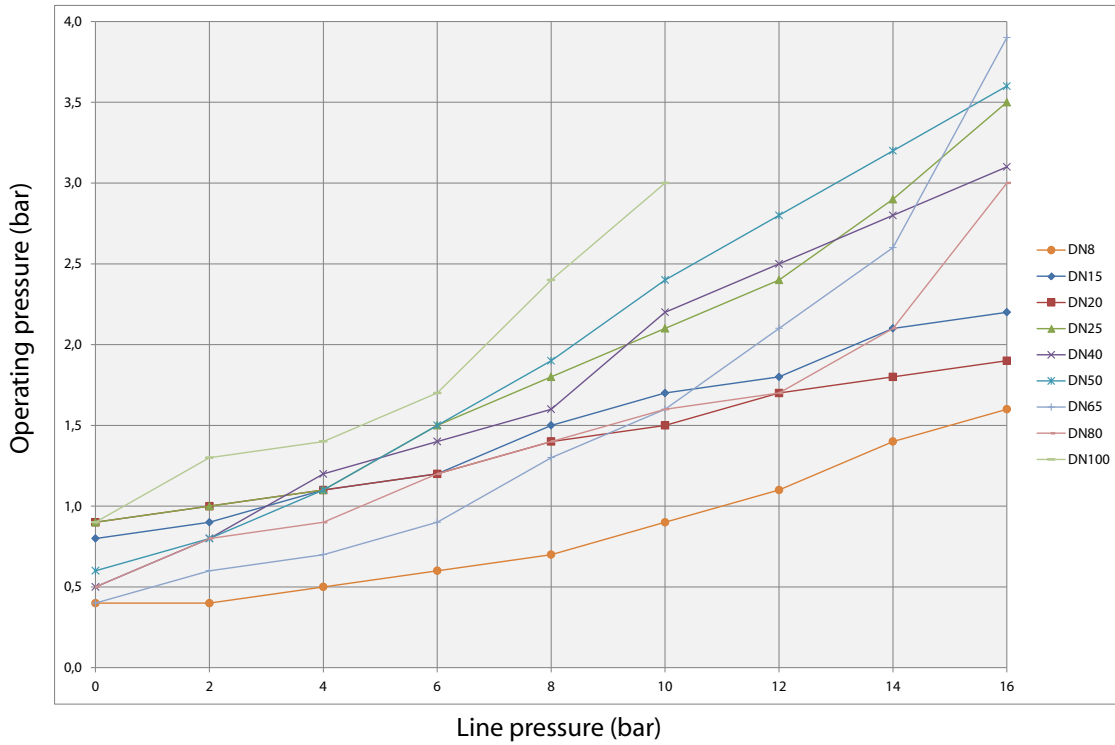


Performance characteristics for S360 actuators Normally Open with PTFE Diaphragms at 100% ΔP

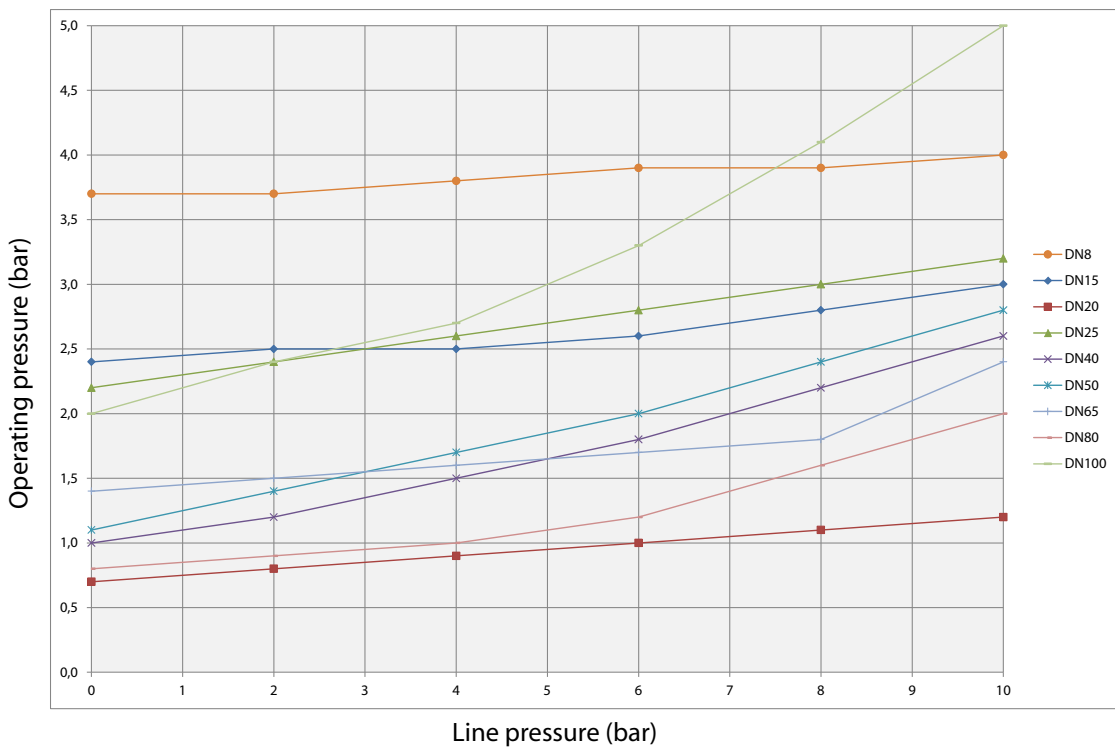


Saunders® S360 Double Acting Actuator

Performance characteristics for S360 actuators Double Acting with Elastomer Diaphragms at 100% ΔP

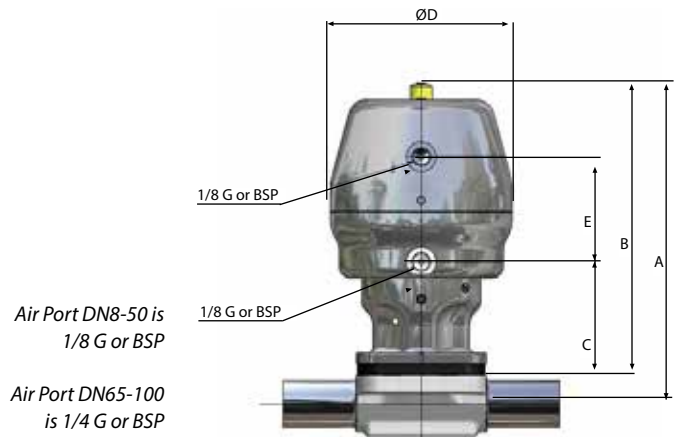


Performance characteristics for S360 actuators Double Acting with PTFE Diaphragms at 100% ΔP



For performance characteristics with Saunders® TFM moulded closed diaphragm, please consult Crane ChemPharma & Energy, Saunders®.

Actuator Dimensions (Metric)



S360 Lite Normally Closed Actuator Dimensions (Metric)

Actuator Size	Dimensions (mm)					Actuator Weight Kg
	A	B	C	D	E	Flanged
DN8	87	79	19	55	-	0.6
DN15	134	125	52	68	-	1.2
DN20	154	141	54	88	-	2.1
DN25	161	146	59	88	-	2.3
DN40	207	185	71	98	-	3.5
DN50	260	232	85	123	-	7.7
DN65	334	294	72	186	-	17.5
DN80	392	344	89	236	-	32.0
DN100	420	345	89	236	-	35.8

S360 Power Normally Closed Actuator Dimensions (Metric)

Actuator Size	Dimensions (mm)					Actuator Weight (Kg)
	A	B	C	D	E	Flanged
DN15	134	125	52	68	-	1.2
DN20	164	151	55	98	-	2.8
DN25	170	155	60	98	-	2.9
DN40	223	201	71	123	-	5.8
DN50	266	238	85	150	-	9.7

S360 Lite Normally Open Actuator Dimensions (Metric)

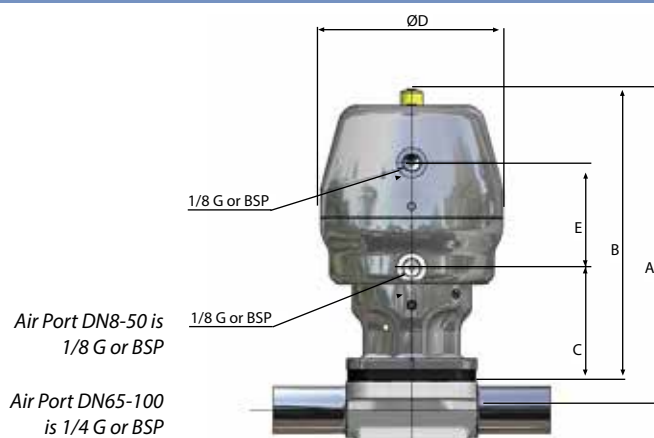
Actuator Size	Dimensions (mm)					Actuator Weight (Kg)
	A	B	C	D	E	Flanged
DN8	87	79	19	55	42	0.5
DN15	134	125	52	68	52	1.0
DN20	164	151	55	98	57	2.6
DN25	170	155	60	98	57	2.7
DN40	223	201	71	123	74	5.0
DN50	266	238	85	150	86	8.3
DN65	334	294	73	186	172	17.0
DN80	407	359	90	236	114	34.0
DN100	434	359	90	236	114	37.0

S360 Double Acting Actuator Dimensions (Metric)

Actuator Size	Dimensions (mm)					Actuator Weight (Kg)
	A	B	C	D	E	Flanged
DN8	87	79	19	55	42	0.5
DN15	134	125	52	68	52	1.0
DN20	164	151	55	98	57	2.5
DN25	170	155	60	98	57	2.6
DN40	223	201	71	123	74	4.8
DN50	266	238	85	150	86	8.0
DN65	407	359	90	186	199	13.6
DN80	407	359	90	186	199	27.0
DN100	434	359	90	236	114	32.4

Dimension "A" relates to 2-way body OD tubing; all other body variations are available at <http://drawings.craneflow.com>. Please contact Crane ChemPharma & Energy, Saunders[®] for the latest dimensional information. The above drawing should only be used as a general reference.

Actuator Dimensions (Imperial)



S360 Lite Normally Closed Actuator Dimensions (Imperial)

Actuator Size	Dimensions (inches)					Actuator Weight (lbs.)
	A	B	C	D	E	Flanged
0.25"	3.44	3.13	0.76	2.17	-	1.3
0.50"	5.27	4.91	2.06	2.68	-	2.6
0.75"	6.06	5.55	2.14	3.46	-	4.6
1.00"	6.34	5.75	2.32	3.46	-	5.1
1.50"	8.15	7.28	2.80	3.86	-	7.7
2.00"	10.25	9.15	3.33	4.84	-	17.0
2.50"	13.15	11.57	2.83	7.32	-	38.6
3.00"	15.43	13.54	3.50	9.29	-	70.6
4.00"	16.54	13.58	3.50	9.29	-	78.9

S360 Power Normally Closed Actuator Dimensions (Imperial)

Actuator Size	Dimensions (inches)					Actuator Weight (lbs.)
	A	B	C	D	E	Flanged
0.50"	5.27	4.91	2.06	2.68	-	2.6
0.75"	6.44	5.93	2.17	3.87	-	6.2
1.00"	6.69	6.10	2.35	3.86	-	6.4
1.50"	8.78	7.91	2.80	4.84	-	12.8
2.00"	10.47	9.37	3.35	5.91	-	21.4

S360 Lite Normally Open Actuator Dimensions (Imperial)

Actuator Size	Dimensions (inches)					Actuator Weight (lbs.)
	A	B	C	D	E	Flanged
0.25"	3.44	3.13	0.76	2.17	1.65	1.1
0.50"	5.27	4.91	2.06	2.68	2.03	2.2
0.75"	6.44	5.93	2.17	3.87	2.24	5.7
1.00"	6.69	6.10	2.35	3.86	2.24	6.0
1.50"	8.78	7.91	2.80	4.84	2.91	11.0
2.00"	10.47	9.37	3.35	5.91	3.40	18.3
2.50"	13.15	11.57	2.87	7.32	6.77	37.4
3.00"	16.02	14.13	3.54	9.29	4.49	74.8
4.00"	17.09	14.13	3.54	9.29	4.49	81.4

S360 Double Acting Actuator Dimensions (Imperial)

Actuator Size	Dimensions (inches)					Actuator Weight (lbs.)
	A	B	C	D	E	Flanged
0.25"	3.44	3.13	0.76	2.17	1.65	1.1
0.50"	5.27	4.91	2.06	2.68	2.03	2.2
0.75"	6.44	5.93	2.17	3.87	2.24	5.5
1.00"	6.69	6.10	2.35	3.86	2.24	5.7
1.50"	8.78	7.91	2.80	4.84	2.91	10.6
2.00"	10.47	9.37	3.35	5.91	3.40	17.6
2.50"	16.02	14.13	3.54	7.32	7.83	29.9
3.00"	16.02	14.13	3.54	9.29	4.49	64.7
4.00"	17.09	14.13	3.54	9.29	4.49	71.3

Dimension "A" relates to 2-way body OD tubing; all other body variations are available at <http://drawings.cranecpe.com>. Please contact Crane ChemPharma & Energy, Saunders[®] for the latest dimensional information. The above drawing should only be used as a general reference.



Crane ChemPharma & Energy

Crane Process Flow Solutions Ltd.
Grange Road,
Cwmbran, Gwent NP44 3XX UK
Phone: + 44-1633-486666
Fax: + 44-1633-486777

Crane Process Flow Solutions Ltd.
9860 Johnson Rd,
Montgomery TX, 77316
Phone: (936) 588-8360
Fax: (936) 588-8302

www.cranecpe.com



brands you trust.



COMPAC-NOZ®



DEPA®

ELRO® DUO-CHEK®



FK®
KROMBACH
ARMATUREN

NOZ-CHEK®



RESISTOFLEX®



Saunders®
the science inside

STOCKHAM®



UNI-CHEK®

wta®

XOMOX®

CPE-SAUNDERS-S360-TD-EN-A4-2014_05_13

Crane Co., and its subsidiaries cannot accept responsibility for possible errors in catalogues, brochures, other printed materials, and website information. Crane Co. reserves the right to alter its products without notice, including products already on order provided that such alteration can be made without changes being necessary in specifications already agreed. All trademarks in this material are property of the Crane Co. or its subsidiaries. The Crane and Crane brands logotype, in alphabetical order, (ALOYCO®, CENTER LINE®, COMPAC-NOZ®, CRANE®, DEPA®, DUO-CHEK®, ELRO®, FLOWSEAL®, JENKINS®, KROMBACH®, NOZ-CHEK®, PACIFIC VALVES®, RESISTOFLEX®, REVO®, SAUNDERS®, STOCKHAM®, TRIANGLE®, UNI-CHEK®, WTA®, and XOMOX®) are registered trademarks of Crane Co. All rights reserved.