

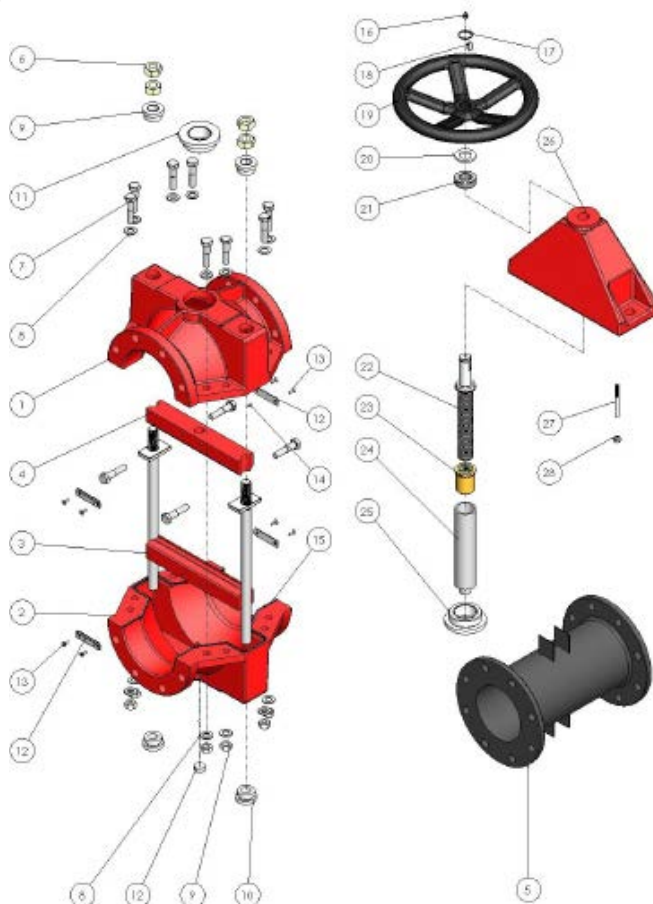


## PVE enclosed body Valves

For Demanding Duties

EXPLODED VIEW OF PVE VALVE WITH MANUAL ACTUATOR

Part	Description	Part	Description	Part	Description
1	Valve upper body	12	Guide bushing	20	Thrust washer
2	Valve lower body	13	Fixing plate for opening tags	21	Thrust bearing
3	Lower pinch bar	14	Allen screw, countersunk	22	Stem
4	Upper pinch bar	15	Locking screw	23	Nut bushing
5	Sleeve	16	Seal strip	24	Pipe bushing
6	Hex nut	17	Grease nipple	25	Guide bushing
7	Hex screw	18	Retaining ring	26	Attachment frame
8	Washer	19	Key	27	Indicator pin
9	Guide bushing	20	Hand wheel	28	Hex nut
10	Guide bushing				



### TECHNICAL DATA

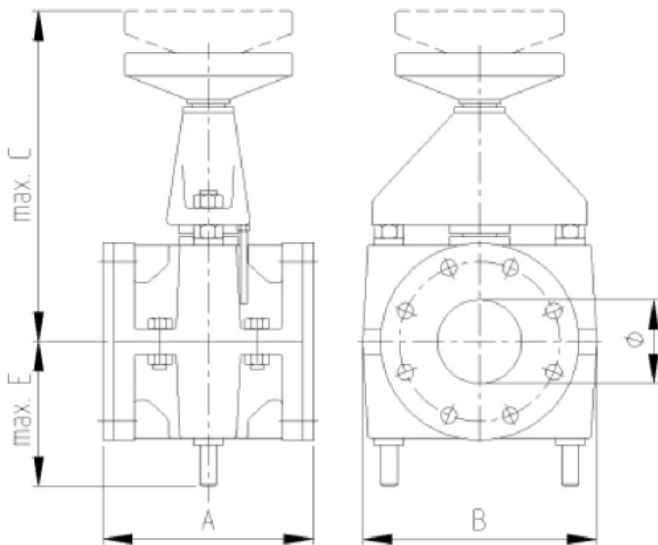
- For heavy duty applications
- Body materials: Fe & AISI316
- Sizes beginning from 25 mm
- Pressure class up to 100 bar



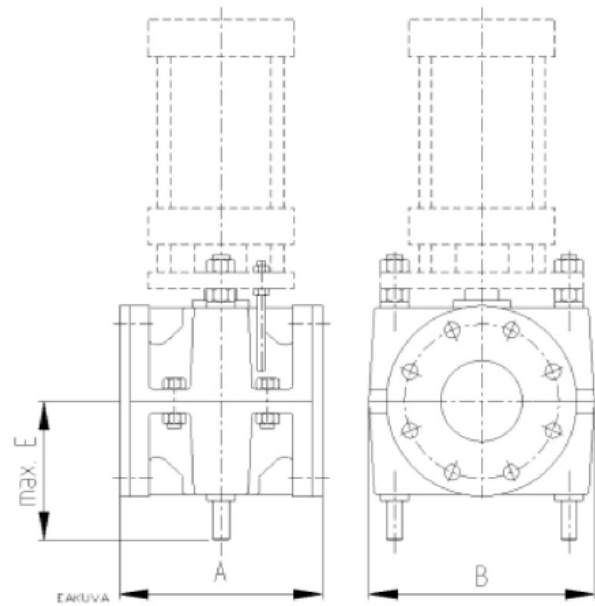


# MAIN DIMENSIONS OF PVE ENCLOSED BODY VALVES

## MANUAL



## AUTOMATIC



Valve size (PVE) M&A	PN (bar)	A	B	C	E	Weight Manual Valves (kg)		Weight Automatic valves (kg)	
						FE	AL	FE	AL
25	1-25	165	125	255	87	11	7	8	4
32	1-25	165	140	260	90	14	9	10	5
40	1-25	165	180	265	105	16	9	12	6
50	1-25	165	190	280	120	18	9	13	7
65	1-25	165	210	310	136	22	12	17	9
80	1-25	200	245	370	155	36	17	27	13
100	1-25	250	278	410	175	46	25	33	17
125	1-25	310	340	465	210	74	41	48	25
150	1-16	375	400	560	240	106	74	75	43
200	1-10	500	480	690	295	159	-	119	-
250	1-6	625	570	865	380	213	-	161	-
300	1	750	720	1020	445	279	-	212	-

Bigger sizes and higher pressures on request.



Flowrox Oy  
P.O. Box 338, FI-53101 Lappeenranta  
Finland  
Tel. +358 201 113 311

www.flowrox.com  
info@flowrox.com

